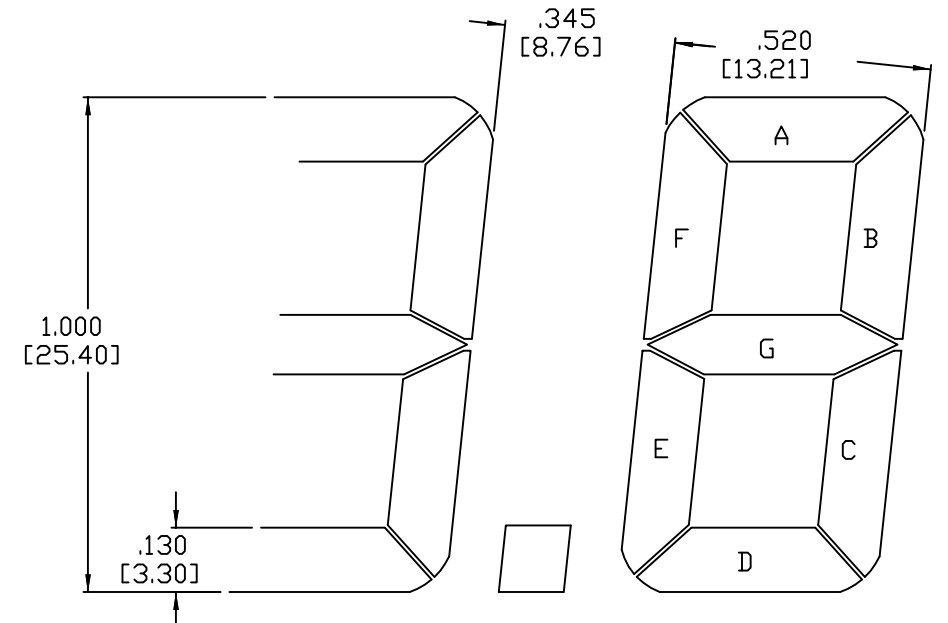
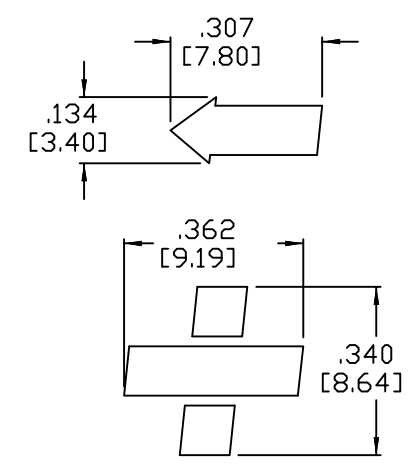
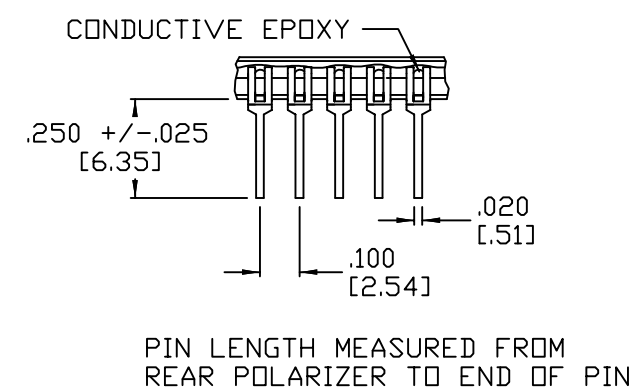
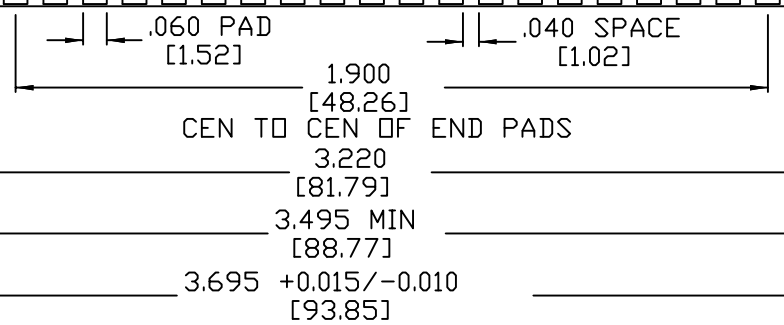


PIN	FUNCT	PIN	FUNCT
1	BP	40	BP
2	Y	39	X
3	K	38	Z
4	---	37	---
5	---	36	---
6	---	35	---
7	---	34	---
8	DP3	33	---
9	3E	32	3G
10	3D	31	3F
11	3C	30	3A
12	DP2	29	3B
13	2E	28	COLON
14	2D	27	2G
15	2C	26	2F
16	DP1	25	2A
17	1E	24	2B
18	1D	23	1G
19	1C	22	1F
20	1B	21	1A



INFORMATION CONTAINED HEREIN IS PROPRIETARY TO LX D, INC. AND MAY NOT BE USED OR DISCLOSED WITHOUT THE PERMISSION OF LX D, INC.		7650 FIRST PLACE CLEVELAND, OHIO 44146-6713 (440) 786-8700		CUSTOMER LXD	
DO NOT SCALE		FLUID	VIEWING MODE		PART NUMBER H4101A
UNLESS OTHERWISE SPECIFIED: DIMENSIONS ARE IN INCHES [MM]		SCALE 2:1	POLARIZER TYPE		DRAWING 2350
DECIMAL TOL: +/- .010		VIEWING DIRECTION		REV	DATE 12/14/04
ANGULAR TOL: +/- 1°		DRAWN LJD		SHEET 1 OF 1	

REV	DESCRIPTION	DATE	BY
	REVISIONS		