

General Application Circuit Example

Figure 46 shows a general application circuitry of interface schematic with control signals connected directly to an MCU.

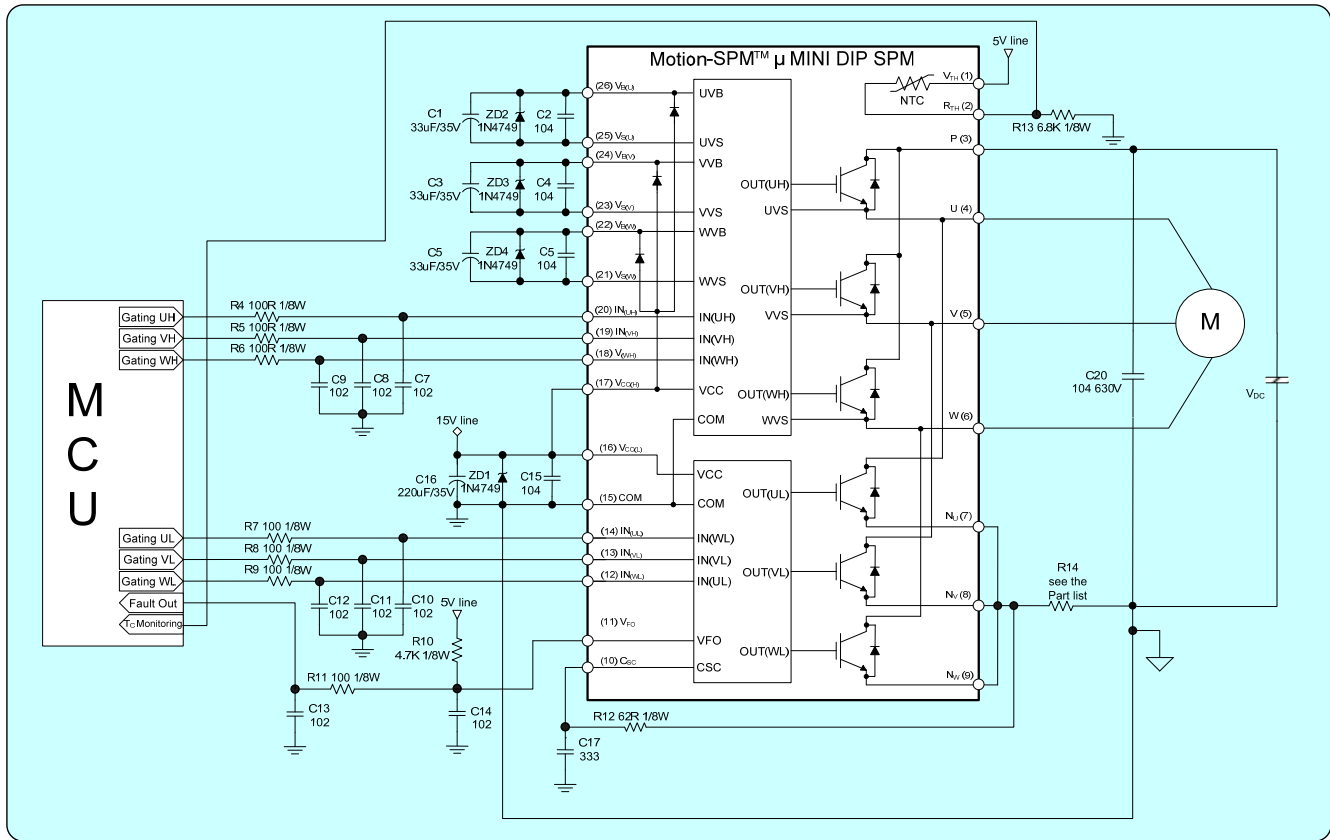


Figure 46. General Application Circuitry for SPM45H Package (One-SHUNT Solution)

Print Circuit Board (PCB) Layout Guidance

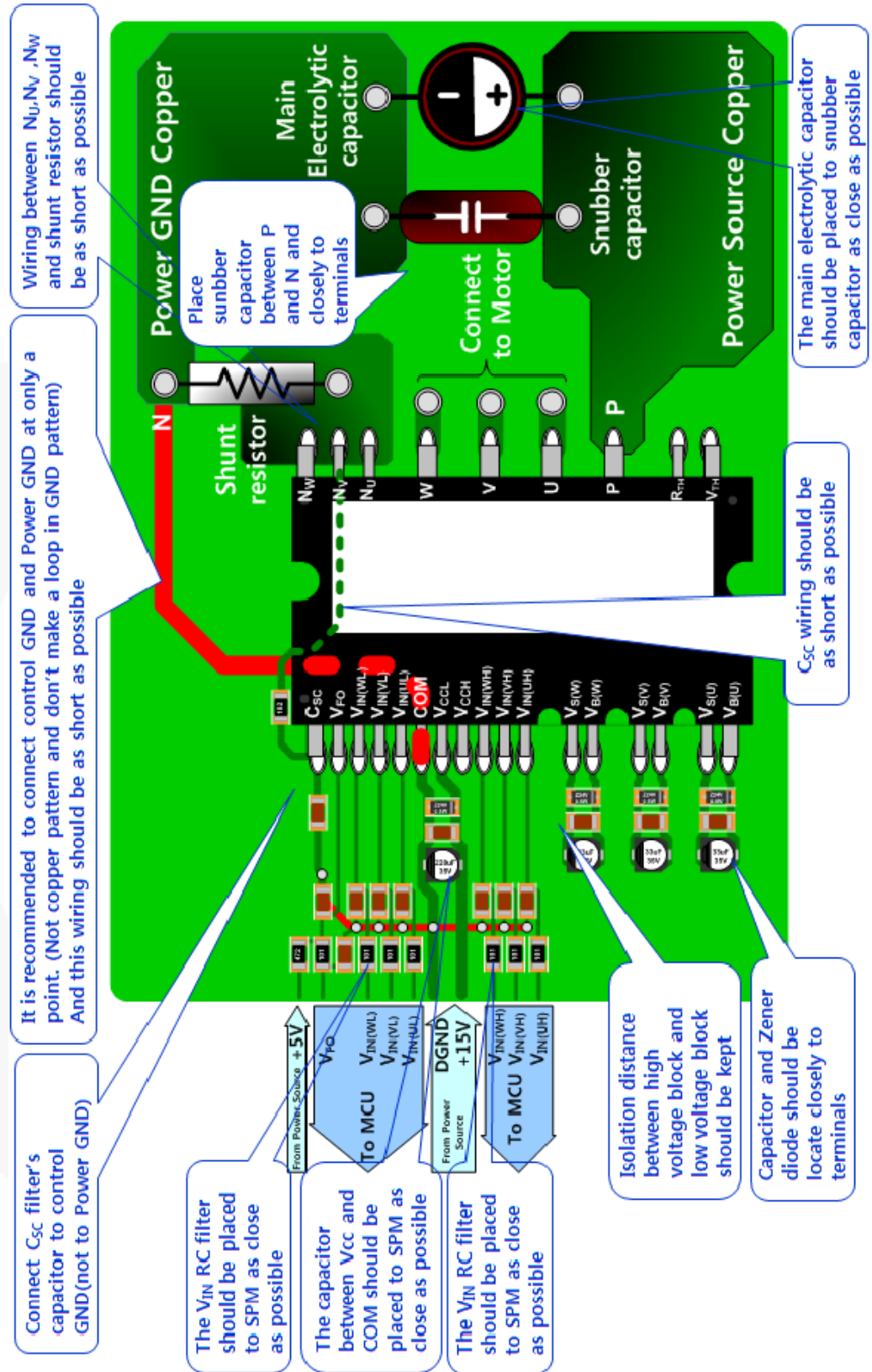


Figure 47. PCB Layout Guidance